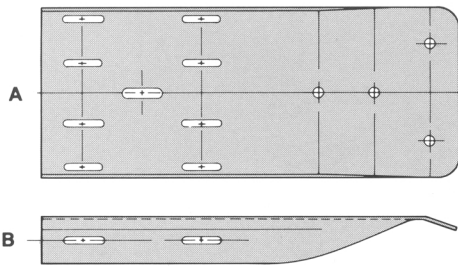


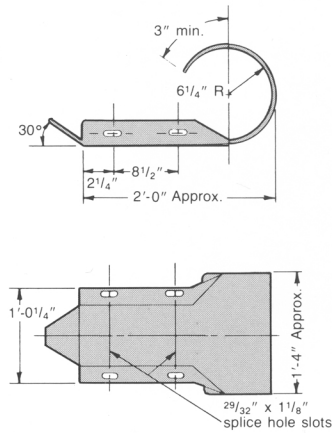
# Terminal Sections

Galvanized or corrosion resistant steel

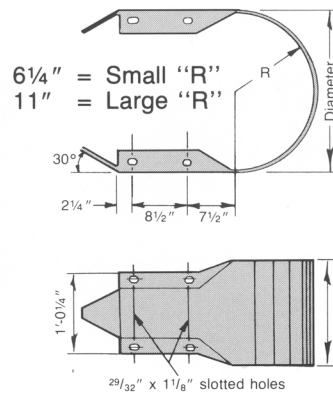


A — End Shoe, flat

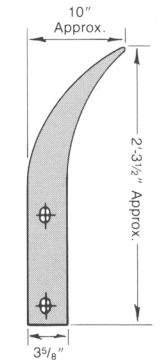
B — End Shoe, bent lip (for BCT)



Single Buffer



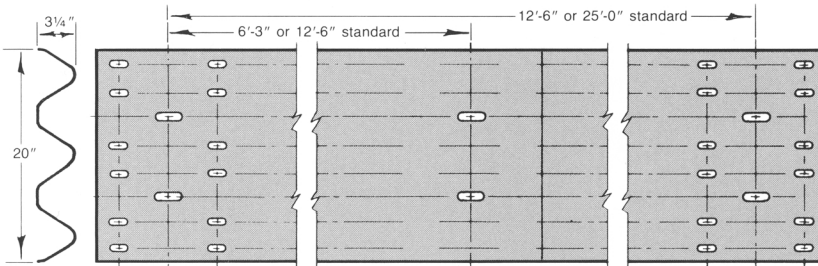
Double Buffer



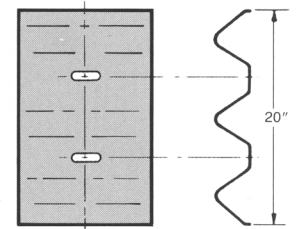
Flared End

## Thrie Beam

We also stock thrie beam and accessories

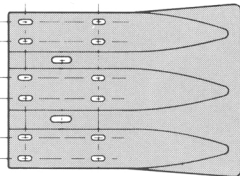


Thrie Beam

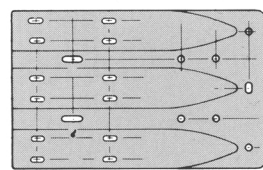


Back-up Plate

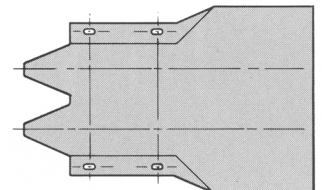
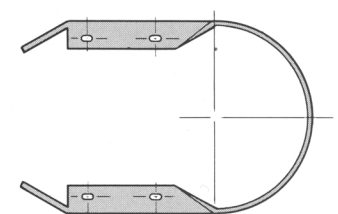
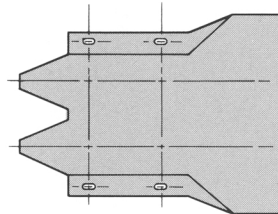
## Flared End Section



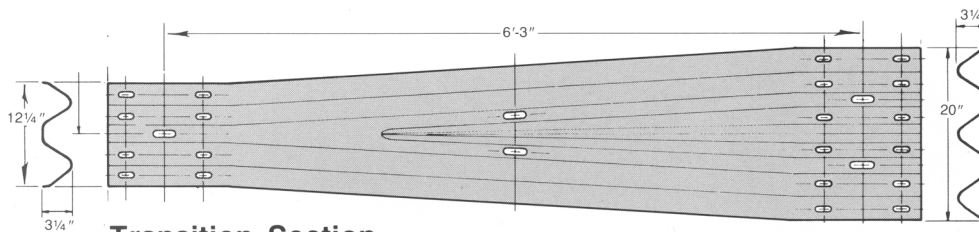
## Bridge Shoe



## Single Buffer



Double Buffer



Transition Section